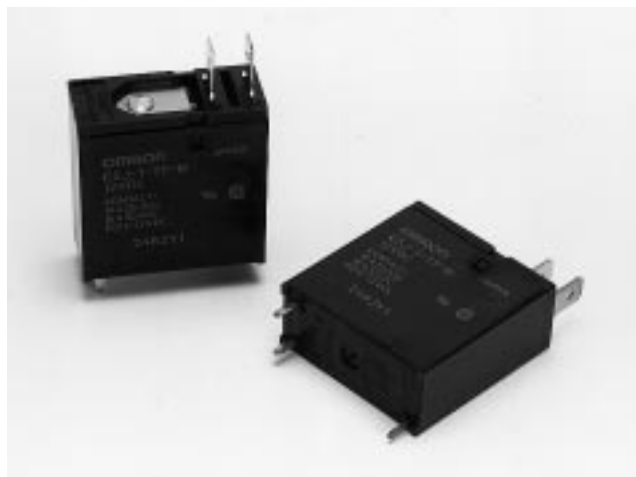


PCB Relay

G5J

Ideal for Microwave Oven Magnetrons and Heater Switching

- Dual tab/PCB terminals.
- Small, space-saving bottom surface area..
- High impulse withstand voltage: 10 kV



Ordering Information

Enclosure rating	Contact form	Model
Unsealed	SPST-NO	G5J-1-TP-M

Note: When ordering, add the rated coil voltage to the model number.

Example: G5J-1-TP-M 12 VDC
└───┘ Rated coil voltage

■ Model Number Legend:

G5J - - -
1 2 3 4

- | | | | |
|--|--|---------------------------------|--|
| 1. Number of Poles
1: 1 pole (SPST-NO contact) | 2. Terminals
TP: Relays with #187, Tab/PCB | 3. Others
M: Standard | 4. Rated Coil Voltage
12, 18, 24 VDC |
|--|--|---------------------------------|--|

Specifications

■ Coil Ratings

Rated voltage	12 VDC	18 VDC	24 VDC
Rated current	58.3 mA	38.9 mA	29.2 mA
Coil resistance	206 Ω	463 Ω	822 Ω
Must operate voltage	70% max. of rated voltage		
Must release voltage	10% min. of rated voltage		
Maximum voltage	110% of rated voltage		
Power consumption	Approx. 700 mW		

■ Contact Ratings

Rated load	16 A at 250 VAC/30 VDC ($\cos\phi = 1$)
Rated carry current	16 A
Max. switching voltage	250 VAC; 30 VDC

Note: 1. The rated current and coil resistance are measured at a coil temperature of 23°C with a tolerance of $\pm 10\%$.
2. = indicates DC (IEC 417 publications).

■ Characteristics

Contact resistance	30 m Ω max.
Operate time	20 ms max.
Release time	5 ms max.
Insulation resistance	1,000 M Ω min. (at 500 VDC)
Dielectric strength	4,000 VAC between coil and contacts (1 min.) 1,000 VAC between contacts of same pole (1 min.)
Impulse withstand voltage	10 kV (1.2 x 50 μ s) between coil and contacts
Vibration resistance	Destruction: 10 to 55 Hz, 1.5-mm double amplitude Malfunction: 10 to 55 Hz, 1.5-mm double amplitude
Shock resistance	Destruction: 1,000 m/s ² Malfunction: 150 m/s ²
Life expectancy	Mechanical: 2,000,000 operations min. (18,000 operations/hr) Electrical: 100,000 operations min. (1,800 operations/hr)
Ambient temperature	Operating: -25°C to 70°C (with no icing)
Ambient humidity	45% to 85%
Weight	Approx. 22.5 g

■ Approved by Standards

UL508 (File No. E41643)

Coil ratings	Contact ratings
5 to 48 VDC	16 A 250 VAC 16 A 30 VDC 1/2 HP 125 VAC 1 HP 250 VAC

CSA C22.2 No. 14 (File No. LR31928)

Coil ratings	Contact ratings
5 to 48 VDC	16 A 250 VAC 16 A 30 VDC 1/2 HP 125 VAC 1 HP 250 VAC

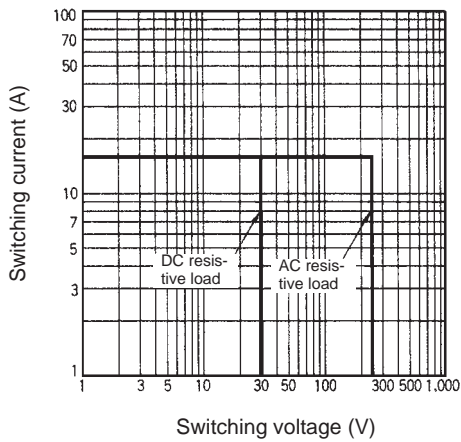
VDE0435, IEC255, (IEC355-1)

Coil ratings	Contact ratings	Approved conditions
5 to 24 V=	16 A at 250 V~ ($\cos\phi = 1$) 16 A at 30 V= (0 ms)	Duty level: class III Operative range: class 2 Pick-up class: class a Pollution degree: 2 Overvoltage category: II Material group: IIIa Ambient temperature: -25°C to 70°C

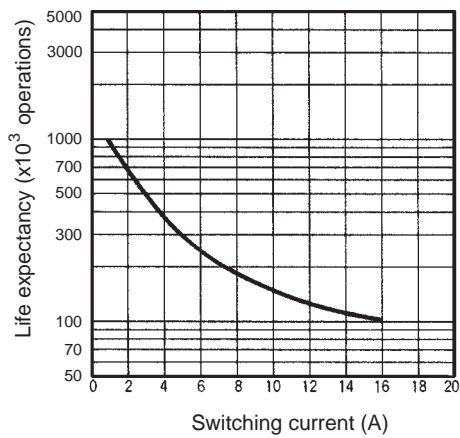
Note: ~ indicates AC and = indicates DC (IE417 publications).

Engineering Data

Max. Switching Capacity

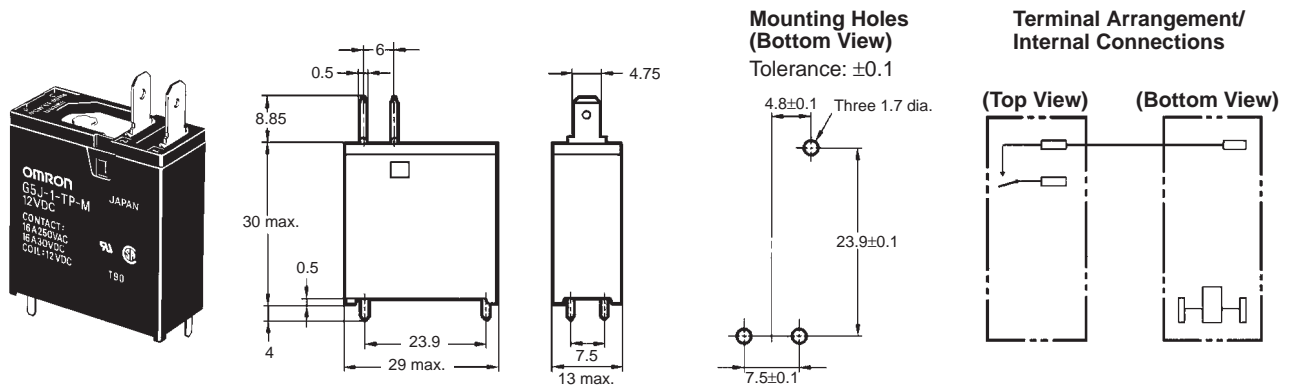


Life Expectancy



Dimensions

Note: All units are in millimeters unless otherwise indicated.



ALL DIMENSIONS SHOWN ARE IN MILLIMETERS.
 To convert millimeters into inches, multiply by 0.03937. To convert grams into ounces, multiply by 0.03527.